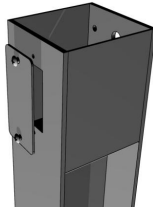
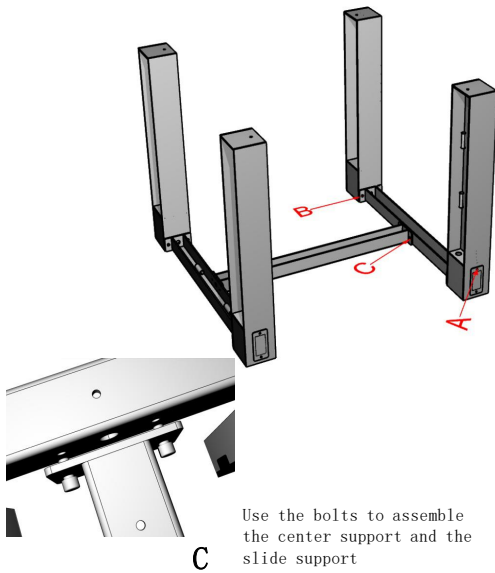




JSTB I-Beam bases

SIZE
3636



A

Use the screws to assemble the Outlet (If outlets are not used, assemble the cover plates over the cut-outs)



B

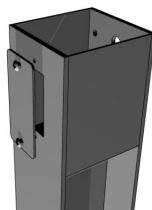
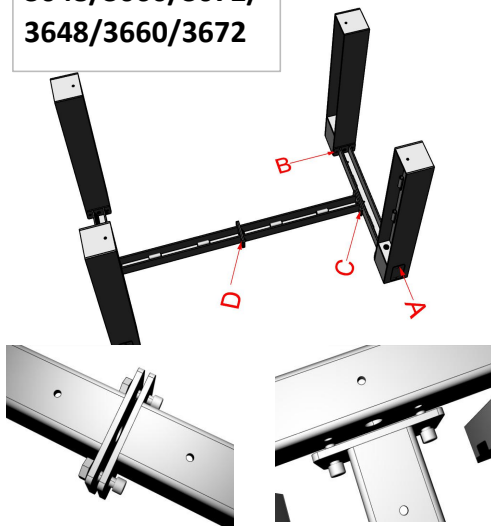
Use the bolts to assemble the side support and the Left/Right Leg



C

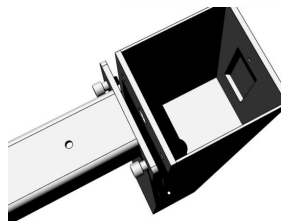
Use the bolts to assemble the center support and the slide support

SIZES
3048/3060/3072/
3648/3660/3672



A

Use the screws to assemble the Outlet (If outlets are not used, assemble the cover plates over the cut-outs)



B

Use the bolts to assemble the side support and the Left/Right Leg



C

Use the bolts to assemble the center support and the side support



D

Use the bolts (M8x25 and cap) to assemble the center supports